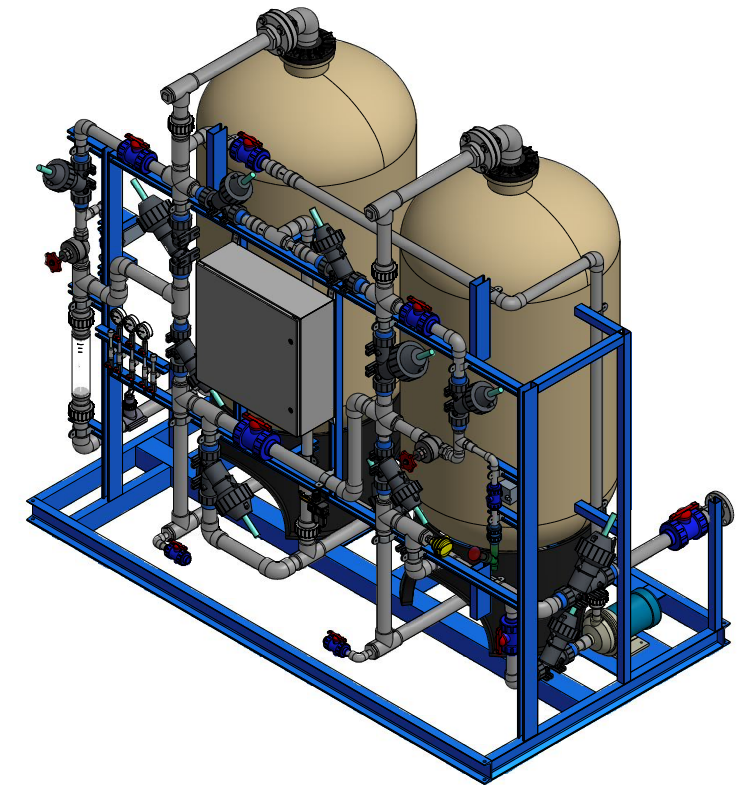
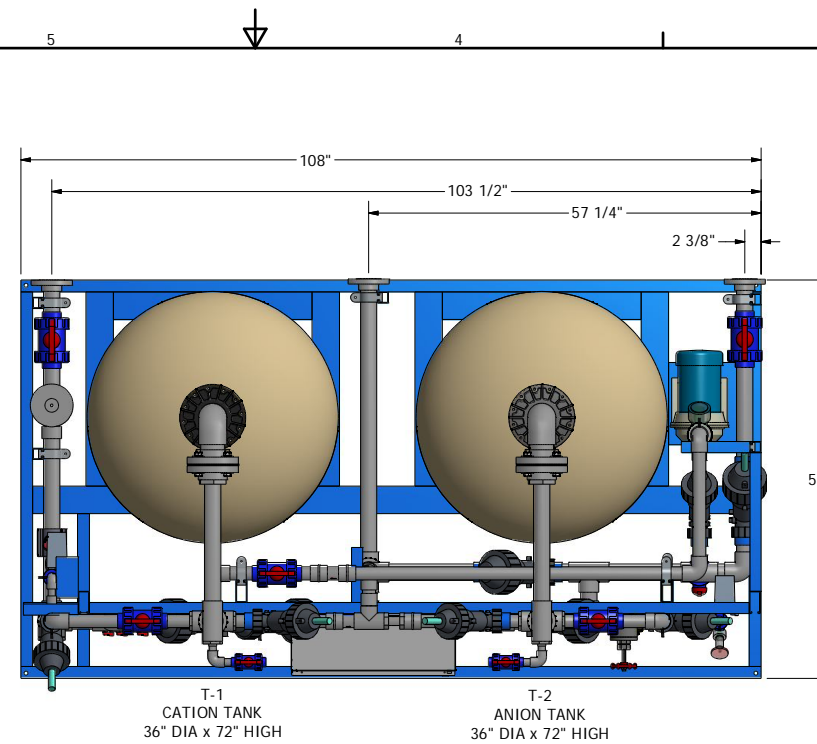
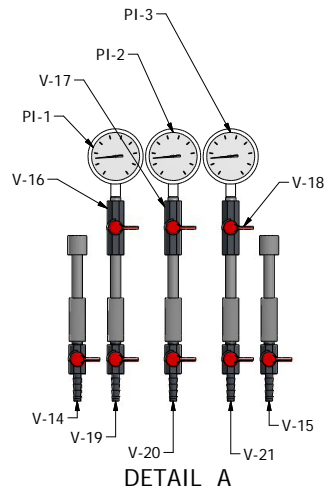


CONSTRUCTION NOTES:

1. ALL PRESSURE VESSELS CONSTRUCTED AS NON-CODE. WORKING PRESSURE DESIGN IS 100 PSIG WITH A TEST PRESSURE OF 130 PSIG. MATERIAL IS FIBERGLASS REINFORCED COMPOSITE MATERIAL.
2. STRUCTURAL STEEL SKID TO BE SANDBLASTED TO A COMMERCIAL BLAST AND COATED WITH 3-5 MILS OF TNEC SERIES 161 MARLO SAFETY BLUE EPOXY.
3. ALL PRESSURE VESSEL INTERNAL DISTRIBUTORS TO BE SCH 80 PVC WITH FINE SLOTTED NOZZLES.
4. ALL AUTOMATIC FLOW VALVES TO BE "Y" PATTERN DIAPHRAGM OPERATED GLOBE VALVES PNEUMATICALLY OPERATED. VALVES TO BE MANUFACTURED OF ENGINEERING THERMOPLASTIC WITH PVC CONNECTIONS AND TRIM. ALL STRONG CHEMICAL VALVES TO BE PVC BALL VALVES WITH SPRING RETURN ACTUATOR. ALL VALVES TO HAVE A POSITION INDICATOR DEVICE.
5. ALL MANUAL ISOLATING VALVES TO BE QUARTER TURN BALL VALVES WITH EPDM SEALS AND SOLVENT WELD OR SCREWED CONNECTIONS.
6. ALL EXTERNAL PIPING TO BE SCH 80 PVC. ALL EXTERNAL FITTINGS AND FLANGES TO BE SCH 80 PVC WITH SOCKET WELD CONNECTIONS. SOME ITEMS MAY BE THREADED WHEN REQUIRED.
7. ALL PNEUMATIC VALVE CONTROL TUBING TO BE 1/4" OD POLYETHYLENE BLACK TUBING. ALL TUBING TO BE NEATLY BUNDLED TO PIPING MANIFOLDS.
8. ALL ELECTRICAL CONTROL ENCLOSURES TO BE NEMA 4 WITH MANUFACTURERS STANDARD PAINT.
9. ALL EXTERIOR HIGH VOLTAGE (115V OR HIGHER) WIRING TO BE CONTAINED IN EMT STEEL CONDUIT WITH LIQUID TIGHT FITTINGS. CONDUIT RUNS 6" OR SHORTER MAY BE CONTAINED IN LIQUID TIGHT FLEXIBLE CONDUIT SUITABLE FOR OUTDOOR USE. ALL EXTERIOR LOW VOLTAGE CONDUIT (24V OR LOWER) WILL BE 3 WIRE CABLE NEATLY BUNDLED WITH THE MANIFOLD PIPING.



10. FLOW RATES (CATION):

- SERVICE: 56 GPM
- BACKWASH: 35 GPM
- ACID DRAW: 2.3 GPM (CONCENTRATED)
- DILUTION WATER: 12 (DILUTE TO 5% CHEMICAL)
- SLOW RINSE: 12 GPM
- FAST RINSE: 56 GPM

11. FLOW RATES (ANION):

- SERVICE: 50 GPM
- BACKWASH: 20 GPM
- CAUSTIC DRAW: 0.7 GPM (CONCENTRATED)
- DILUTION WATER: 12 (DILUTE TO 4% CHEMICAL)
- SLOW RINSE: 12 GPM
- FAST RINSE: 56 GPM

12. ION EXCHANGE MEDIA MEDIA (CATION)

- MANUFACTURER: RESINTECH
- TYPE: CG-8
- QTY PER VESSEL: 25 CU. FT.
- BED DEPTH: 39"
- TYPE OF REGENERANT: 30% HCL
- QTY OF REGENERANT: 6# PER CU. FT. OF RESIN

13. ION EXCHANGE MEDIA MEDIA (ANION)

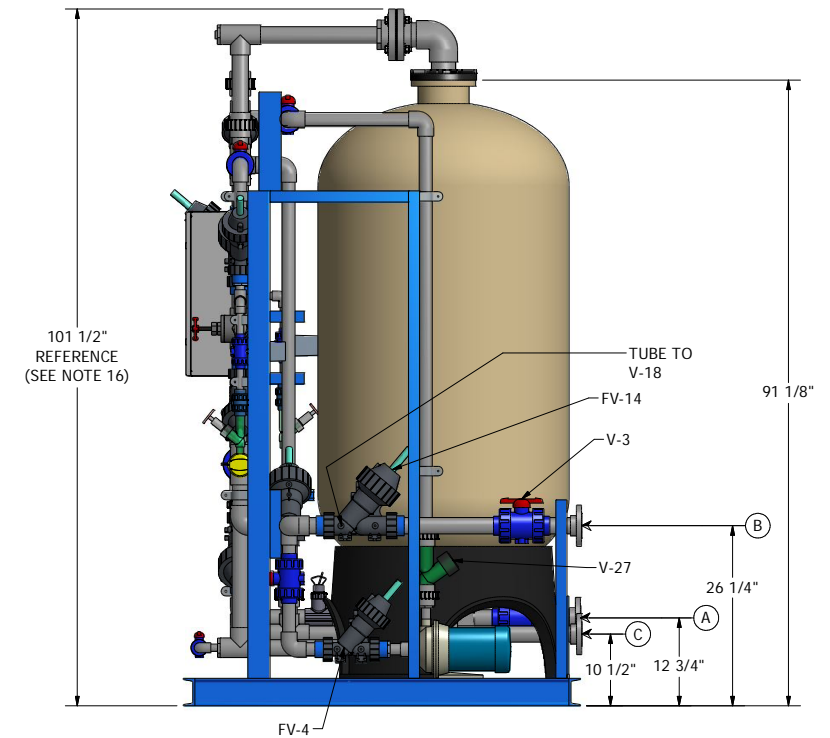
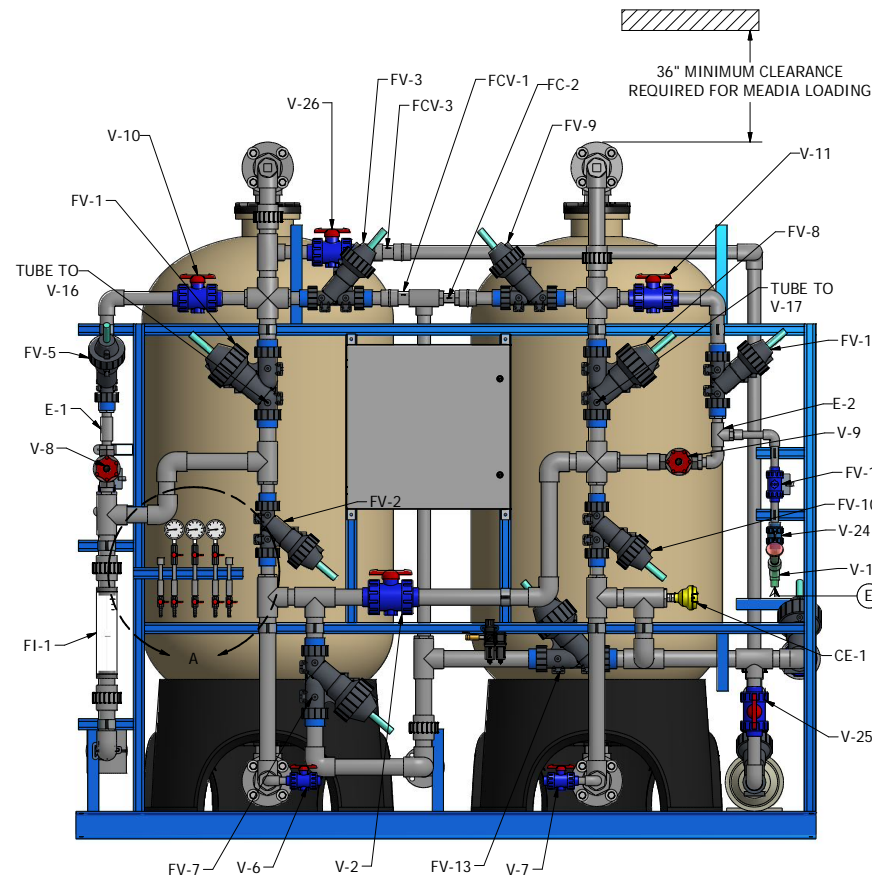
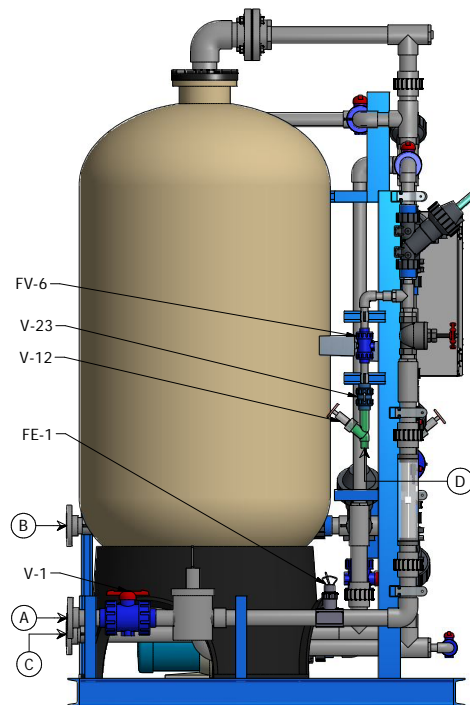
- MANUFACTURER: RESINTECH
- TYPE: SBG-2
- QTY PER VESSEL: 25 CU. FT.
- BED DEPTH: 39" (CHLORIDE FORM), 47" (HYDROXIDE FORM)
- TYPE OF REGENERANT: 50% NAOH
- QTY OF REGENERANT: 6# PER CU. FT. OF RESIN

14. SHIPPING WEIGHTS:

- EQUIPMENT ONLY: 1,500 LBS
- MEDIA ONLY: 2,135 LBS
- TOTAL: 3,635 LBS

15. OPERATING WEIGHTS: 7,000 LBS

16. OVER ALL HEIGHT IS FOR REFERENCE ONLY. ACTUAL HEIGHT MAY VARY BASED ON RESIN TANK USED.



CONNECTION TABLE						
ITEM	DESCRIPTION	MAX FLOW	SIZE	LOCATION	CONNECTION	MATERIAL
A	CITY WATER INLET	56 GPM	2"	MSB-3672	150# FLANGED	SCH80 PVC
B	PRODUCT WATER OUTLET	50 GPM	2"	MSB-3672	150# FLANGED	SCH80 PVC
C	WASTE WATER OUTLET	56 GPM	2"	MSB-3672	150# FLANGED	SCH80 PVC
D	30% Hcl INLET	2.3 GPM	3/4"	MSB-3672	FNPT	SCH80 PVC
E	50% NaOH INLET	0.7 GPM	3/4"	MSB-3672	FNPT	SCH80 PVC
F	AIR SUPPLY INLET		1/4"	MSB-3672	FNPT	BRASS