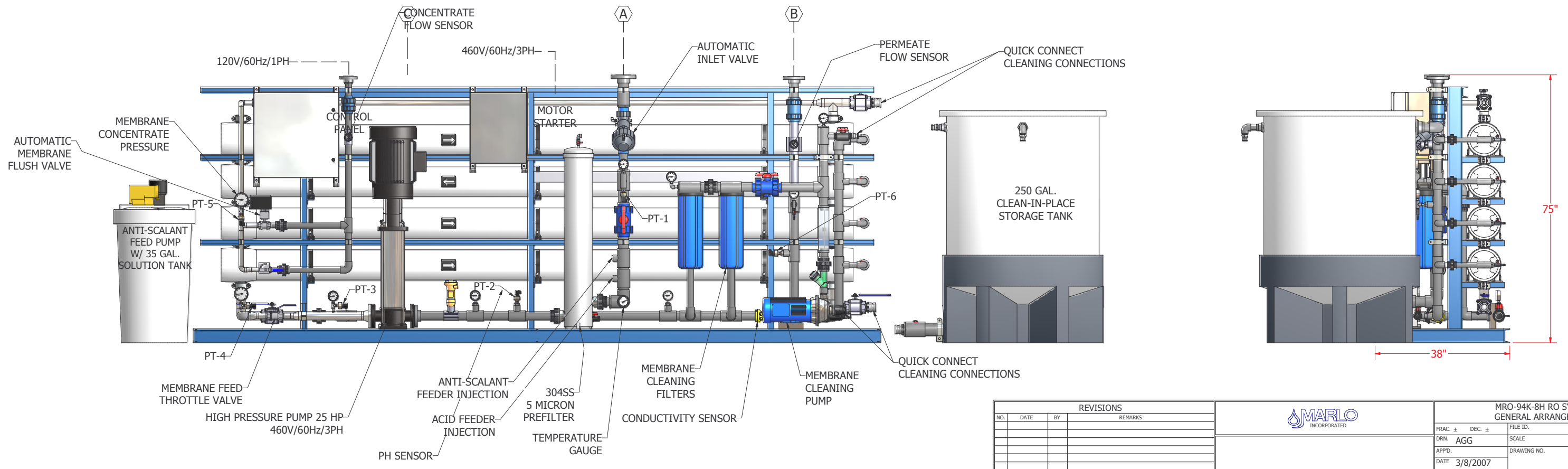
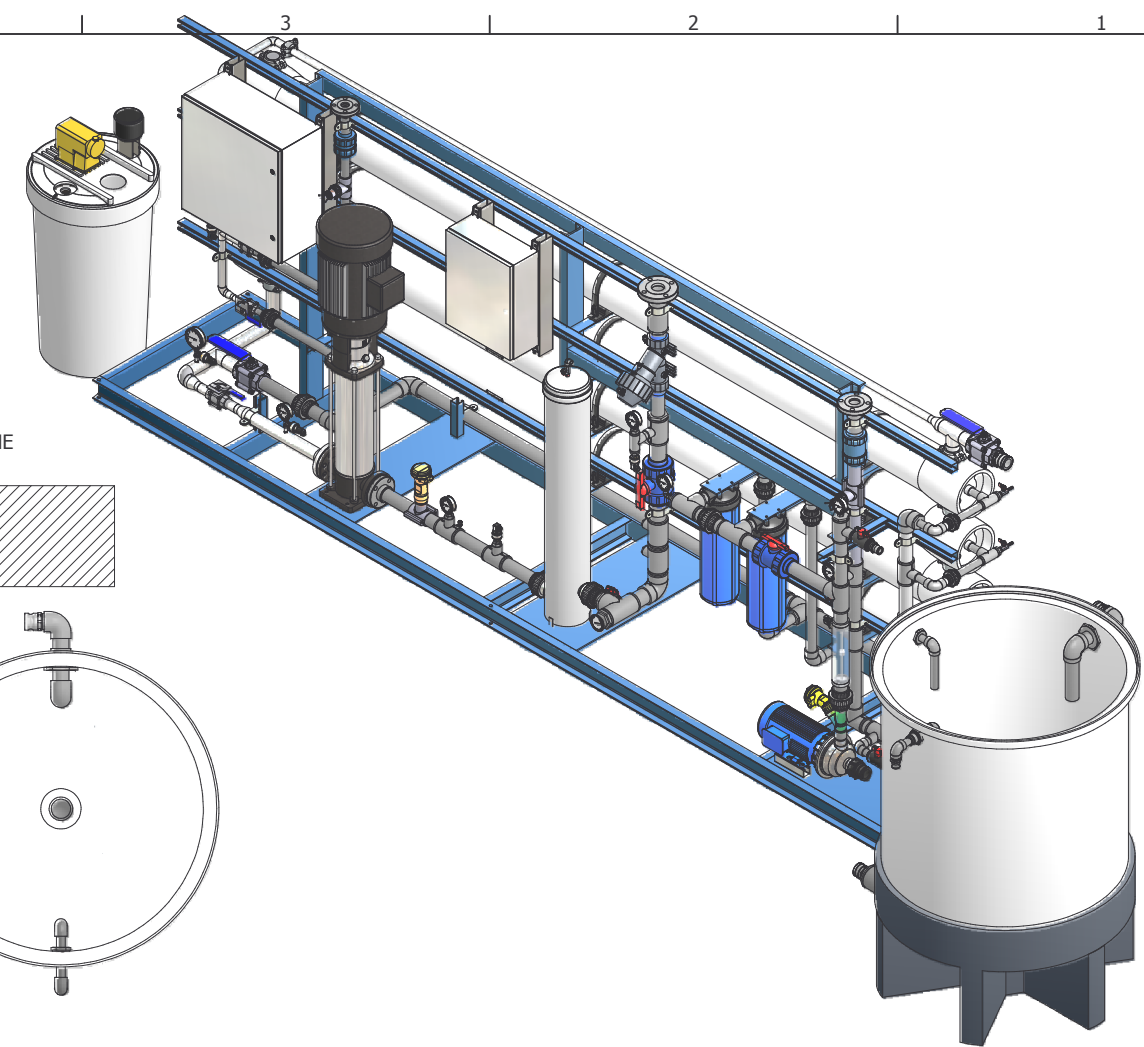
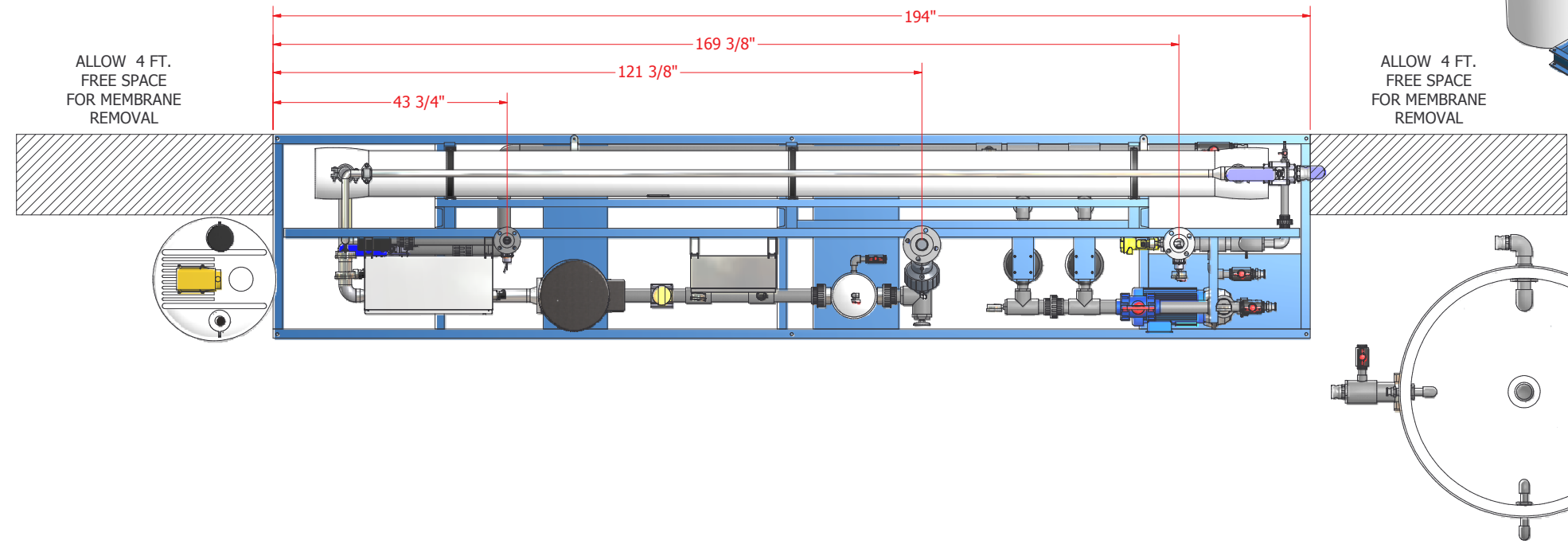


CONNECTION SCHEDULE						
ITEM	DESCRIPTION	LOCATION	MAX. FLOW	SIZE	CONNECTION	MATERIAL
A	RAW WATER INLT	R.O. SKID	87 GPM	2 1/2"	150# FLANGE RF	PVC SCH 80
B	PERMEATE OUTLET	R.O. SKID	65 GPM	2"	150# FLANGE RF	PVC SCH 80
C	CONCENTRATE OUTLET	R.O. SKID	22 GPM	1 1/2"	150# FLANGE RF	PVC SCH 80



REVISIONS				
NO.	DATE	BY	REMARKS	



MRO-94K-8H RO SYSTEM GENERAL ARRANGEMENT			
FRAC. ±	DEC. ±	FILE ID.	
DRN. AGG		SCALE	SHEET 1 OF 1
APPD.		DRAWING NO.	REV.
DATE 3/8/2007			