

2.5" SERIES REVERSE OSMOSIS UNITS

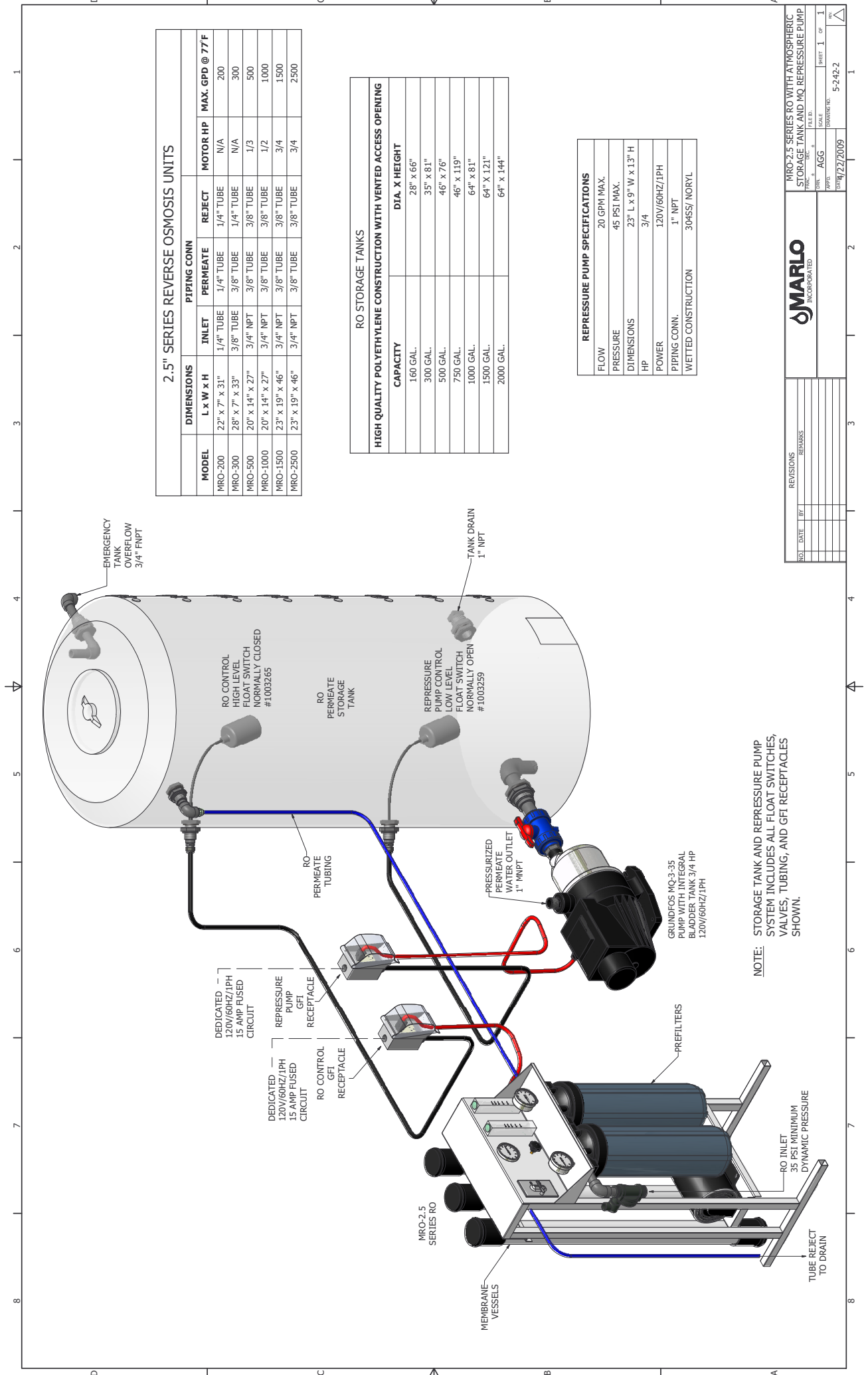
MODEL	DIMENSION L x W x H	PIPING CONN			MOTOR	MAX. GPD @ 77°F
		INLET	PERMEATE	REJECT		
MRO-200	22" x 7" x 31"	1/4" TUBE	1/4" TUBE	1/4" TUBE	N/A	200
MRO-300	28" x 7" x 33"	3/8" TUBE	3/8" TUBE	1/4" TUBE	N/A	300
MRO-500	20" x 14" x 27"	3/4" NPT	3/8" TUBE	3/8" TUBE	1/3 HP	500
MRO-1000	20" x 14" x 27"	3/4" NPT	3/8" TUBE	3/8" TUBE	1/2 HP	1000
MRO-1500	23" x 19" x 46"	3/4" NPT	3/8" TUBE	3/8" TUBE	3/4 HP	1500
MRO-2500	23" x 19" x 46"	3/4" NPT	3/8" TUBE	3/8" TUBE	3/4 HP	2500

RO BLADDER TANK SPECIFICATIONS FRP CONSTRUCTION NSF/FDA LISTED

MODEL	DIA X HEIGHT	CAPACITY @ 50 PSI
ROMATE 15	16" x 27"	7 GAL.
ROMATE 20	16" x 33"	10 GAL.
ROMATE 30	16" x 44"	15 GAL.
ROMATE 40	16" x 57"	20 GAL.
ROMATE 80	25" x 56"	40 GAL.

NOTE: DIRECT FEED BLADDER TANK INCLUDES ALL PIPING, VALVES, ETC. SHOWN FOR COMPLETE OPERATIONAL SYSTEM.

REVOLUTIONS		REMARKS	
NO.	DATE	BY	
OMARLO INCORPORATED			
MRO-2.5 SERIES RO WITH DIRECT FEED BLADDER TANK		NO. 5	DATE 5-24-11
DRAWING NO.	SCALE	REV. 1	OF 1
5-242-1			



2.5" SERIES REVERSE OSMOSIS UNITS

MODEL	DIMENSIONS			PIPING CONN			MOTOR HP	MAX. GPD @ 77F
	L x W x H	INLET	PERMEATE	REJECT				
MRO-200	22" x 7" x 31"	1/4" TUBE	1/4" TUBE	1/4" TUBE	N/A	200		
MRO-300	28" x 7" x 33"	3/8" TUBE	3/8" TUBE	1/4" TUBE	N/A	300		
MRO-500	20" x 14" x 27"	3/4" NPT	3/8" TUBE	3/8" TUBE	1/3	500		
MRO-1000	20" x 14" x 27"	3/4" NPT	3/8" TUBE	3/8" TUBE	1/2	1000		
MRO-1500	23" x 19" x 46"	3/4" NPT	3/8" TUBE	3/8" TUBE	3/4	1500		
MRO-2500	23" x 19" x 46"	3/4" NPT	3/8" TUBE	3/8" TUBE	3/4	2500		

RO STORAGE TANKS

CAPACITY	DIA. X HEIGHT
160 GAL.	28" x 66"
300 GAL.	35" x 81"
500 GAL.	46" x 76"
750 GAL.	46" x 119"
1000 GAL.	64" x 81"
1500 GAL.	64" x 121"
2000 GAL.	64" x 144"

REPRESSURE PUMP SPECIFICATIONS

FLOW	20 GPM MAX.
PRESSURE	45 PSI MAX.
DIMENSIONS	23" L x 9" W x 13" H
HP	3/4
POWER	120V/60HZ/1PH
PIPING CONN.	1" NPT
WETTED CONSTRUCTION	304SS/ NORYL

REVISIONS		REMARKS	
NO.	DATE	BY	

NO.	DATE	BY	SCALE	SHEET	OF

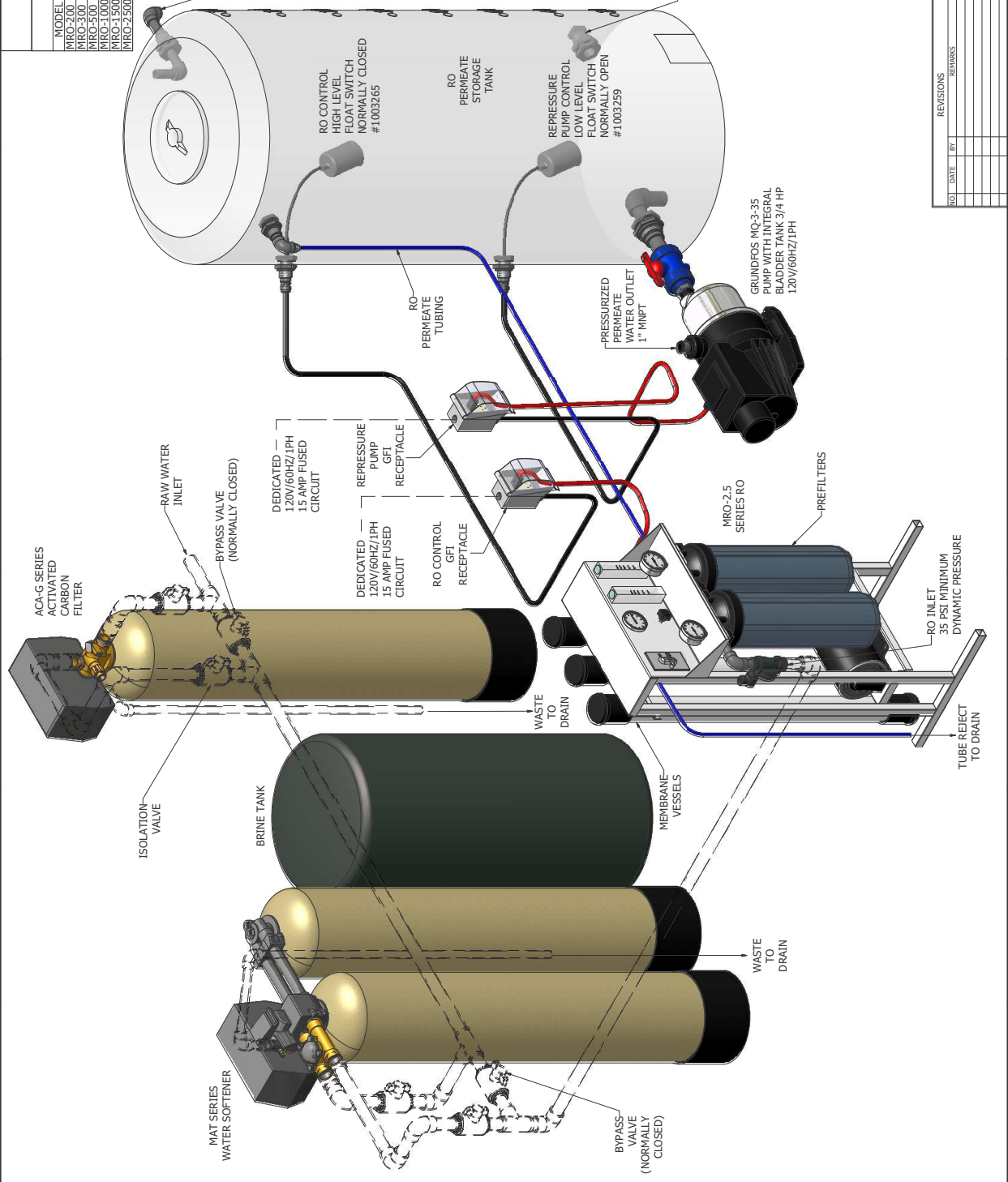
NOTE: STORAGE TANK AND REPRESSURE PUMP SYSTEM INCLUDES ALL FLOAT SWITCHES, VALVES, TUBING, AND GFI RECEPTACLES SHOWN.

2.5" SERIES REVERSE OSMOSIS UNITS

MODEL	DIMENSIONS		PIPING CONN		MOTOR HP	MAX. GPD @ 77 F
	L x W x H		INLET	PERMEATE		
MRO-200	22" x 7" x 31"	1/4" TUBE	1/4" TUBE	1/4" TUBE	N/A	200
MRO-300	28" x 7" x 33"	3/8" TUBE	3/8" TUBE	3/8" TUBE	N/A	300
MRO-500	20" x 14" x 27"	3/4" NPT	3/8" TUBE	3/8" TUBE	1/3	500
MRO-1000	20" x 14" x 27"	3/4" NPT	3/8" TUBE	3/8" TUBE	1/2	1000
MRO-1500	23" x 19" x 46"	3/4" NPT	3/8" TUBE	3/8" TUBE	3/4	1500
MRO-2500	23" x 19" x 46"	3/4" NPT	3/8" TUBE	3/8" TUBE	3/4	2500

RO STORAGE TANKS	
HIGH QUALITY POLYETHYLENE CONSTRUCTION WITH VENTED ACCESS OPENING	
CAPACITY	DIA. X HEIGHT
160 GAL.	28" x 66"
300 GAL.	35" x 86"
500 GAL.	46" x 76"
750 GAL.	46" x 119"
1000 GAL.	64" x 81"
1500 GAL.	64" x 121"
2000 GAL.	64" x 144"

PRESSURE PUMP SPECIFICATIONS	
FLOW	20 GPM MAX.
PRESSURE	120 PSI MAX.
DIMENSIONS	23" L x 9" W x 13" H
POWER	1/200/60HZ/1PH
PIPING CONN.	1" NPT
WETTED CONSTRUCTION	304/SS7 NORYL



- NOTE:**
1. STORAGE TANK AND REPRESSURE PUMP SYSTEM INCLUDES ALL FLOAT SWITCHES, VALVES, TUBING, AND GFI RECEPTACLES SHOWN.
 2. PRETREATMENT INTERCONNECTING PIPING, VALVES, ETC. SHOWN IN BROKEN LINES ARE BY OTHERS.

REVISIONS		MRO-2.5 SERIES RO WITH PRETREATMENT STORAGE TANK AND MQ REPRESSURE PUMP	
NO.	DATE	BY	REMARKS

NO.	DATE	BY	REMARKS

NO.	DATE	BY	REMARKS

NO.	DATE	BY	REMARKS

NO.	DATE	BY	REMARKS

NO.	DATE	BY	REMARKS

NO.	DATE	BY	REMARKS

NO.	DATE	BY	REMARKS

NO.	DATE	BY	REMARKS

NO.	DATE	BY	REMARKS

NO.	DATE	BY	REMARKS

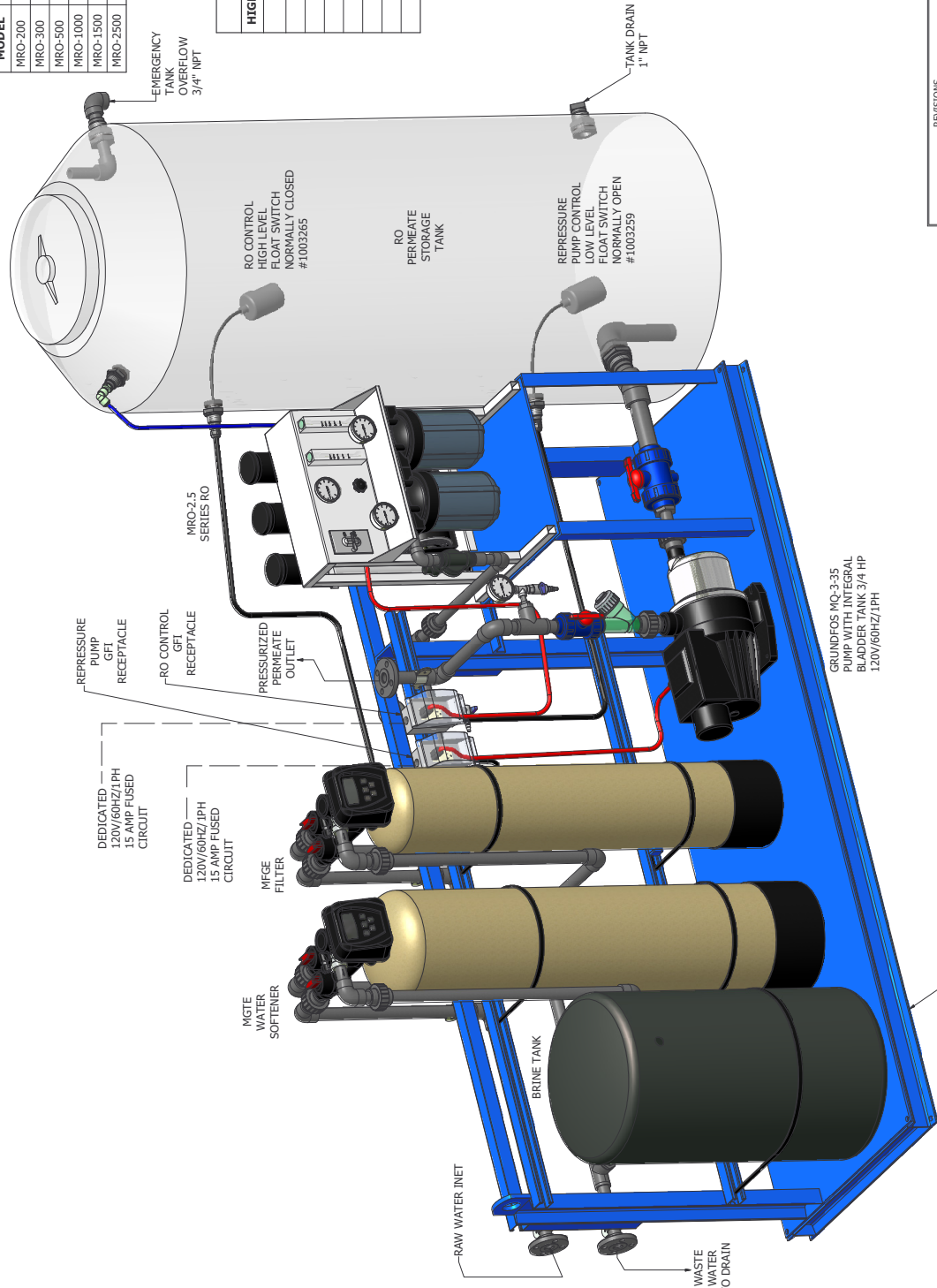
NO.	DATE	BY	REMARKS

2.5" SERIES REVERSE OSMOSIS UNITS

MODEL	L x W x H	PIPING CONN			MOTOR HP	MAX. GPD @ 77°F
		INLET	PERMEATE	REJECT		
MRO-200	22" x 7" x 31"	1/4" TUBE	1/4" TUBE	1/4" TUBE	N/A	200
MRO-300	28" x 7" x 33"	3/8" TUBE	3/8" TUBE	1/4" TUBE	N/A	300
MRO-500	20" x 14" x 27"	3/4" NPT	3/8" TUBE	3/8" TUBE	1/3	500
MRO-1000	20" x 14" x 27"	3/4" NPT	3/8" TUBE	3/8" TUBE	1/2	1000
MRO-1500	23" x 19" x 46"	3/4" NPT	3/8" TUBE	3/8" TUBE	3/4	1500
MRO-2500	23" x 19" x 46"	3/4" NPT	3/8" TUBE	3/8" TUBE	3/4	2500

HIGH QUALITY POLYETHYLENE CONSTRUCTION WITH VENTED ACCESS OPENING		DIA. X HEIGHT
CAPACITY		
160 GAL.		28" x 66"
300 GAL.		35" x 81"
500 GAL.		46" x 76"
750 GAL.		46" x 119"
1000 GAL.		64" x 81"
1500 GAL.		64" x 121"
2000 GAL.		64" x 144"

REPRESSURE PUMP SPECIFICATIONS	
FLOW	20 GPM MAX.
PRESSURE	45 PSI MAX.
DIMENSIONS	23" L x 9" W x 13" H
HP	3/4
POWER	120V/60HZ/1PH
PIPING CONN.	1" NPT
WETTED CONSTRUCTION	304SS/ NORYL



REVISIONS		REVISIONS	
NO.	DATE	BY	REMARKS

REVISED BY	
DATE	
BY	
DATE	
BY	
DATE	
BY	
DATE	
BY	
DATE	

NO.	DATE	BY	REMARKS

NO.	DATE	BY	REMARKS

MRO-2.5 SERIES RO SKID MOUNTED WITH PRETREATMENT STORAGE AND PRESSURE

5-242-4