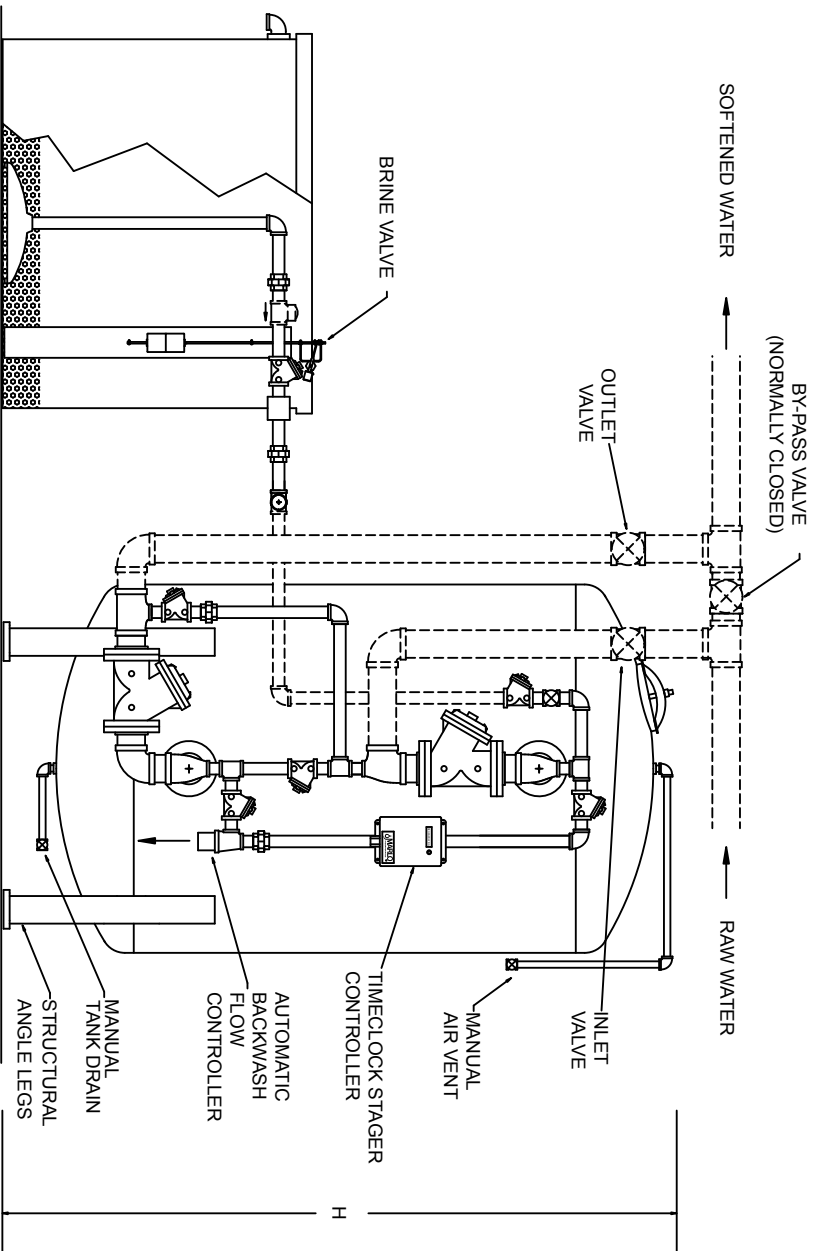
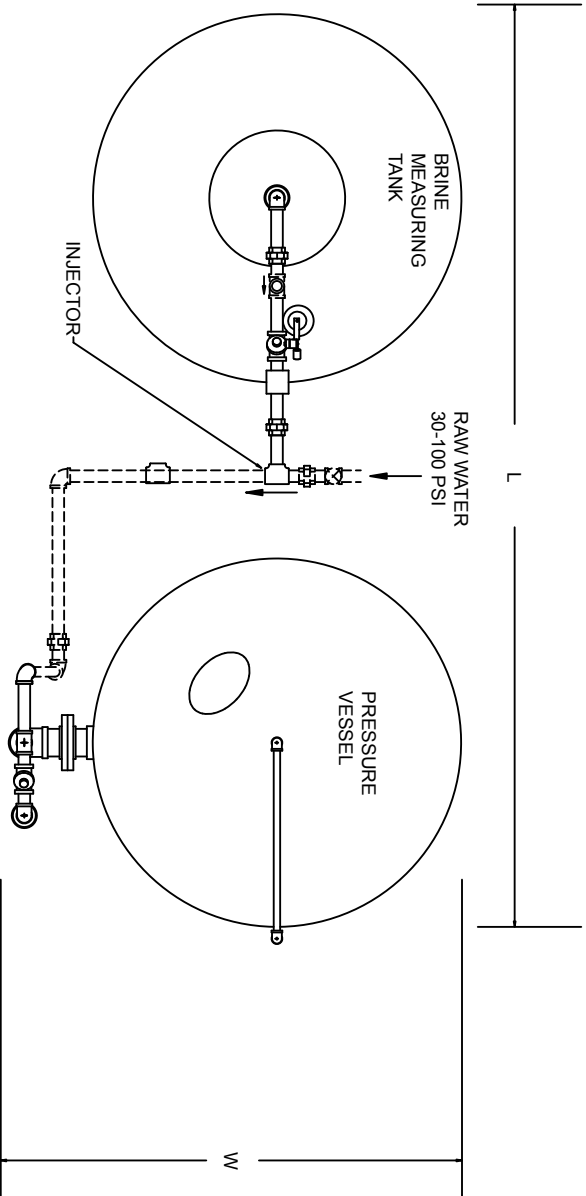


PRODUCT SERIES
MHC
A₀₂ SOFTENERS



NOTE: ALL PIPING, FITTINGS, ETC SHOWN
 IN BROKEN LINES ARE BY OTHERS 5-233

REVISIONS			
NO.	DATE	BY	REMARKS



MHC SERIES SINGLE WATER SOFTENER
 GENERAL LAYOUT DRAWING

FRAC. ±	DEC. ±	FILE ID. MHC SINGLE		
DRN.	SPL	SCALE NTS	SHEET 1	OF 1
APP'D.	DRAWING NO.			REV.
DATE 7-23-98				0