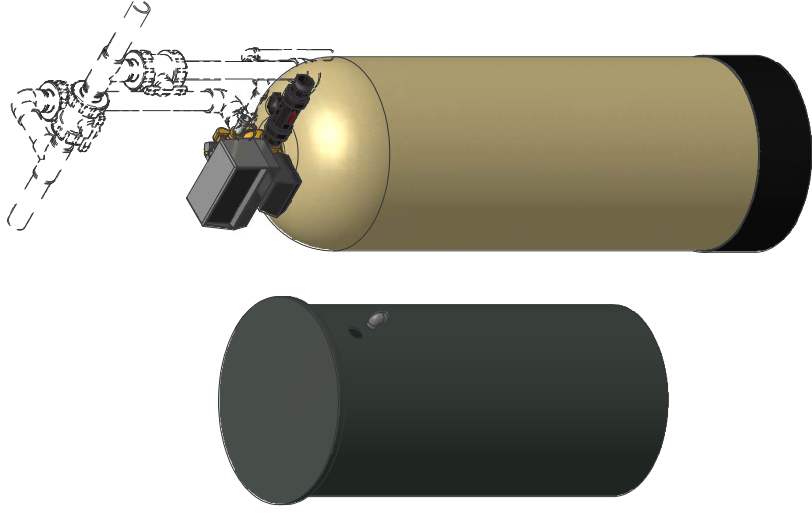
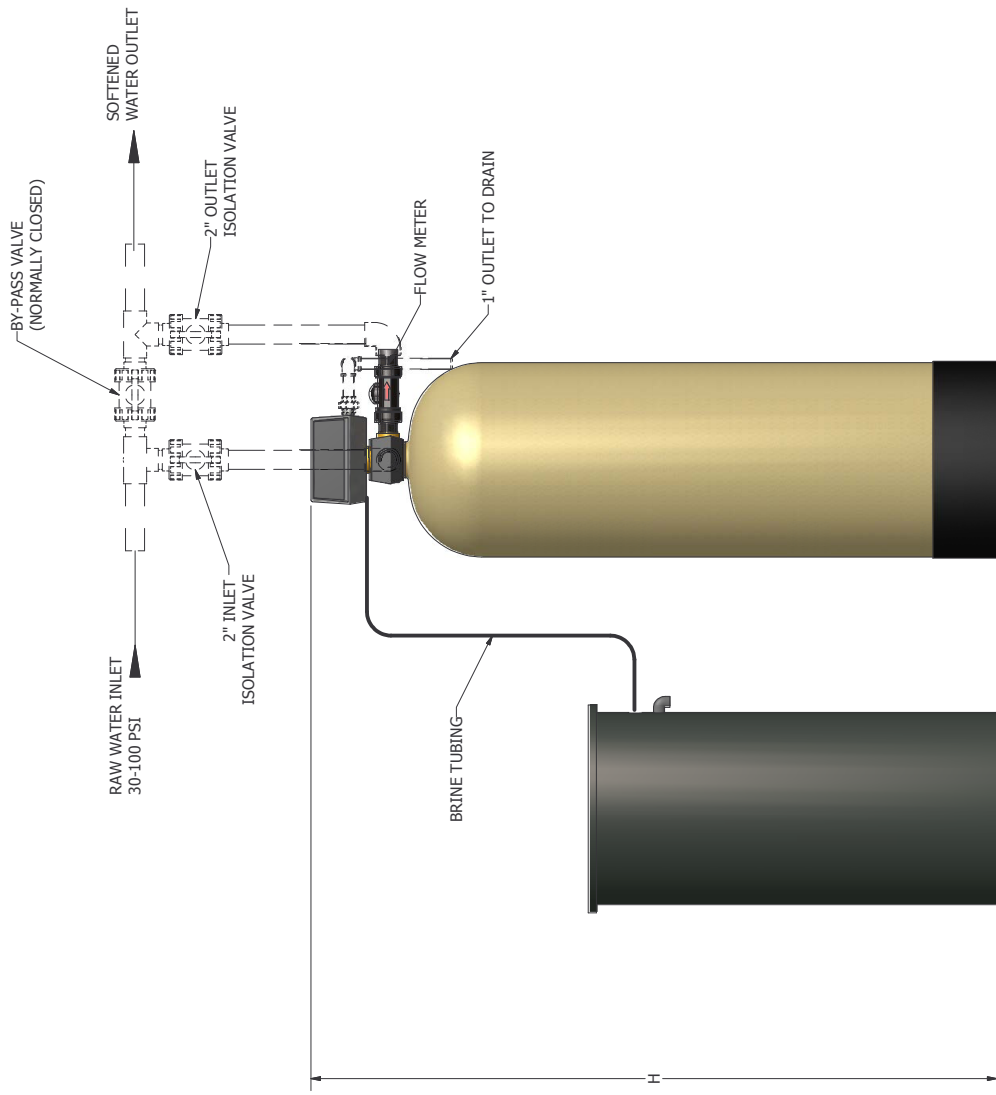


RESIN TANK
RT DIAMETER

BRINE TANK
BT DIAMETER



NOTES:
ALL PIPING, FITTINGS, ETC SHOWN WITH DASHED LINES
ARE PROVIDED BY OTHERS.
GENERAL PLUMBING CONNECTIONS ARE SHOWN FOR
CLARITY ONLY.

DIMENSION TABLE	MGT-
L=	_____
W=	_____
H=	_____

REVISONS		REMARKS	
NO.	DATE	BY	

MGT SINGLE WATER SOFTENER (2900 VALVE) GENERAL ARRANGEMENT		FILE ID:	
FRG:	DIC:	DRIL:	ADJG
SCALE	SHEET 1	OF	1
APPD:	DRAWING NO.	MGT SINGLE 2900	
DATE	3/4/2009	REV	

